



MODEL: TIGER EYE MICRO II SERIES

APPLICATION:

• The TIGER EYE produces a very even light level rectangular beam pattern directly beneath the mounting position. It is useful for lighting stairs that have a center handrail allowing the rectangular light to illuminate forward, backwards, and to both sides of the mounting position. It can be mounted such that the long side of the rectangular beam lights the width or length of the stairs.

CONSTRUCTION:

- 6061 Aluminum Anodized (Black Finish)
- C360 Brass (Natural Brass Finish)

LED LIFE EXPECTANCY (TM-21 DATA):

- Greater than 60,000 hours (greater than 20 years at 8 hours per day)

DRIVER SYSTEM:

- Internal Driver constructed with advanced electronic components

INPUT VOLTAGE RANGE:

- 10.5 to 18 Volts AC or DC

DELIVERED LUMENS (3000K): IES FILES AVAILABLE UPON REQUEST

- 1.5 VA- 113 lm

INSTALLATION AND HARDWARE:

- Stainless Steel Mounting Screws Included

LEAD WIRES:

- 72 inch, 22 AWG Tinned Copper Conductors

ELECTRONICS WARRANTY:

- 20 Years

CERTIFICATION:

- UL1838 Low Voltage Landscape Lighting

POWER CONSUMPTION/AVAILABLE MODELS:

- See Power Consumption / Model Availability Table (next page)

AVAILABLE FINISHES:

- Black (BLK) • C360 Brass (BR)

ORDERING CODES

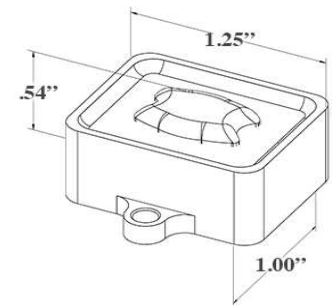
(CHOOSE 1 ITEM FROM EACH COLUMN BELOW) EX: TIGER EYE BLK



BLK



BR



Model #	Finish	Light Output		
TIGER EYE	BLK	(blank)	3000K Warm White	
		2700K	2700K Warm White	
	BR	5000K	5000K Neutral White	
		AMB	Amber	
		BLU	Blue	
		RBL	Royal Blue	
		GRN	Green	
		RO	Red Orange	
		RED	Red	
		ER	Extreme Red	





POWER CONSUMPTION / MODEL AVAILABILITY

Light Output		
	Watts	VA
3000K	1.2	1.5
2700K	1.2	1.5
5000K	1.2	1.5
AMB	0.9	1.1
BLU	1.2	1.5
RBL	1.2	1.5
GRN	1.2	1.5
RO	0.9	1.1
RED	0.9	1.1
ER	0.9	1.1

■ Dark gray background indicates stock items. Non-stock items require a 10 business day lead time.

PHOTOMETRICS

PRELIMINARY

